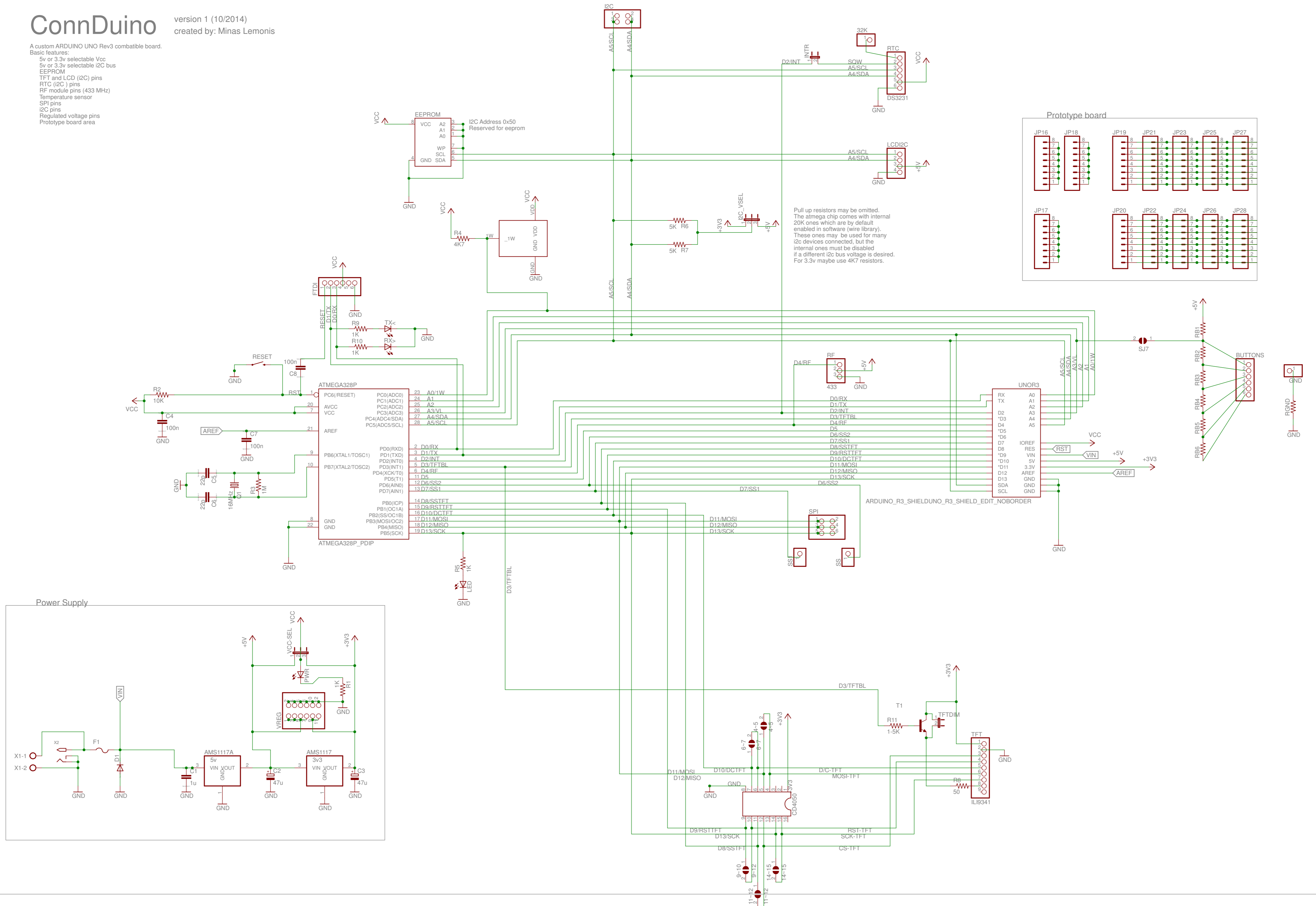


# ConnDuino

version 1 (10/2014)  
created by: Minas Lemonis

A custom ARDUINO UNO Rev3 compatible board.

- Basic features:
- 5v or 3.3v selectable Vcc
- 5v or 3.3v selectable i2c bus
- EEPROM
- TFT and LCD (i2c) pins
- RTC (i2c) pins
- RF module pins (433 MHz)
- Temperature sensor
- SPI pins
- i2c pins
- Regulated voltage pins
- Prototype board area



Pull up resistors may be omitted. The atmega chip comes with internal 20K ones which are by default enabled in software (wire library). These ones may be used for many i2c devices connected, but the internal ones must be disabled if a different i2c bus voltage is desired. For 3.3v maybe use 4K7 resistors.

